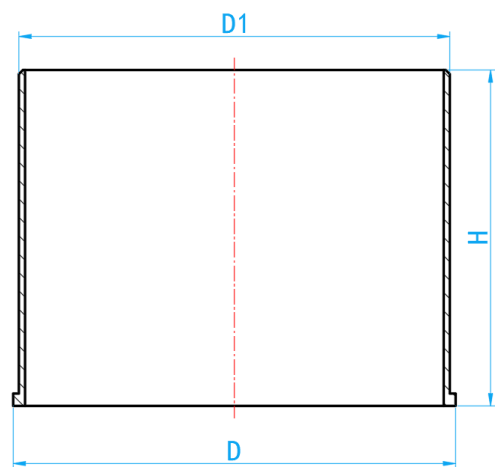
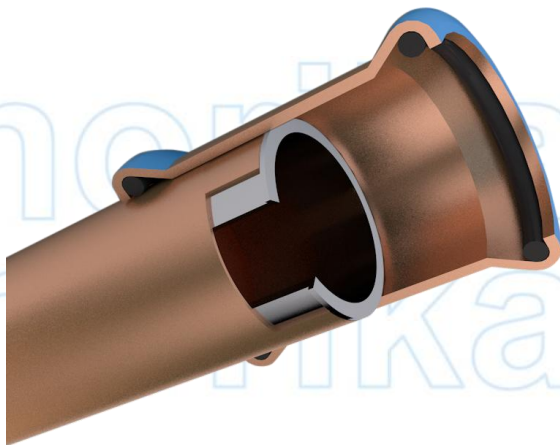


# STAINLESS STEEL AISI304 COPPER PIPE SUPPORT SLEEVE FOR PRESS FIT CLAMPING

COMPLY WITH AS/NZS 4020:2018



A Product of the nPressGuard® Solution



CROSS SECTIONAL VIEW

\*Note: Protect the copper pipe end from deformation.

## DIMENSIONS

SKU	SIZE (mm)	D (mm)	D1 (mm)	H (mm)	WEIGHT (Kg)	PCS/CTN
CPSSN025	28	28	26.2	27	0.021	100
CPSSN035	35	35	32.6	30	0.030	100
CPSSN042	42	42	39.8	35	0.044	100
CPSSN050	54	54	51.8	40	0.077	109
CPSSN065	67	66.7	64.4	56	0.134	89
CPSSN080	76	76	73.3	60	0.188	72
CPSSN100	108	108	105.2	82	0.321	21